

# VARIANCE P<sup>®</sup>

## GLASS CLADDING SYSTEM



We Build the Invisible

Member of  
**SIMONSWERK  
GROUP**



**PATENTED** 

INSTALLATION  
ON ALL TYPES OF  
BUILDINGS (NEW  
OR RENOVATED)

# VARIANCE P<sup>®</sup>

**VARIANCE P** is a **patented fixing system, for glass cladding** (composite or BEFUP possible) allowing to realize the glass cladding of simple or complex facades.

Its hook system saves **a lot of time during installation.**

A pre-assembly in the workshop optimizes the logistics and handling of the cladding elements on site.

Its **Single Hook technology** extends its field of application **to double skins and interior and exterior facades.**

**VARIANCE P IS COMPATIBLE** with all types of geometry, **symmetrical and asymmetrical**, horizontal or vertical grids and all types of support and framing, including wood frames.



VARIANCE P® A MINIMALIST SOLUTION





Capsule for invisible fixing  
adaptable to the glass shade.



#### ARCHITECTURAL ADVANTAGES

FITS ALL SHAPES AND INCLINATIONS OF  
WALLS, FROM VERTICAL TO OVERHANGS  
AND CEILING RETURNS

USE OF A MULTITUDE OF CLADDINGS  
ON THE SAME FRAME

INVISIBLES FIXINGS

WIDE CHOICE OF COLORS,  
DESIGNS AND PRINTS



INSTALLATION ON NEW CONSTRUCTION  
OR RENOVATION

## Installation on rails



Hanging of the panel hooks  
above the rails

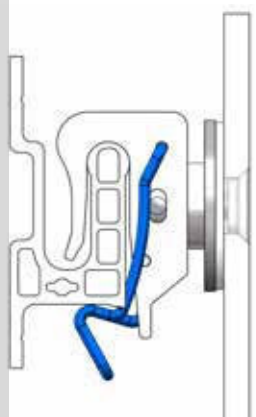




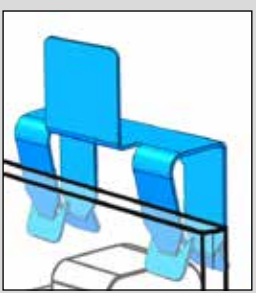
## THE ENVIRONMENTAL ADVANTAGES

- | PRODUCT LIFE CYCLE ANALYSIS **100% RECYCLABLE** SYSTEM MADE FROM **RECYCLED PRODUCTS**
- | ENVIRONMENTAL AND SANITARY DECLARATION SHEET
- | **IDEAL FOR PHOTOVOLTAIC FACADE** (WITH OR WITHOUT INCLINATION)
- | THERMAL AND **SOUND INSULATION CAPACITY**  
(DEPENDING ON THE CHOSEN INSULATION)
- | RT2012/RE2020: **PERFECT FOR EXTERIOR INSULATION IN RENOVATION PROJECTS**

## HOOKS WEIGHT



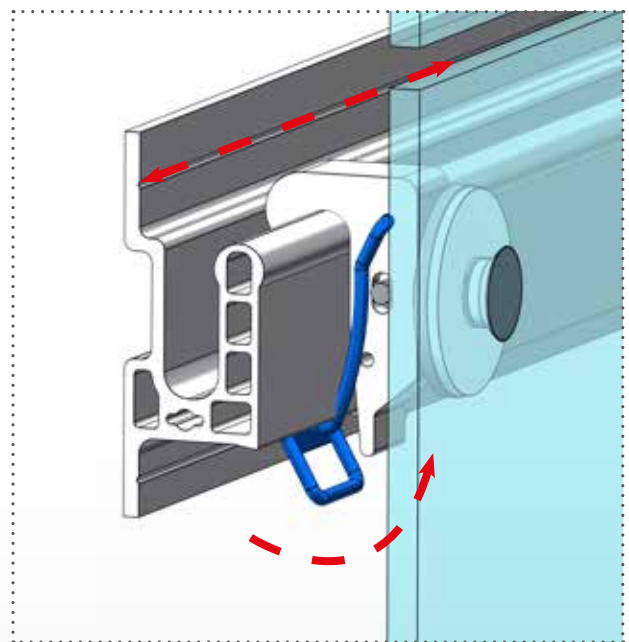
Hook system with anti-lift clip



**OPTION : the clip anti-translation**  
 ( Seismic zone, negative slope, extreme wind pressure )

Hook system « free point » with **anti-noise solution to avoid any noise pollution.**

## WIND HOOKS



### TECHNICAL ADVANTAGES

- | UNIQUE ADAPTABLE FIXING SYSTEM
- | MINIMALIST HANGING SYSTEM
- | LOAD DISTRIBUTION BETWEEN ALL FASTENERS
- | IMPACT RESISTANCES (UP TO Q4 LEVEL)

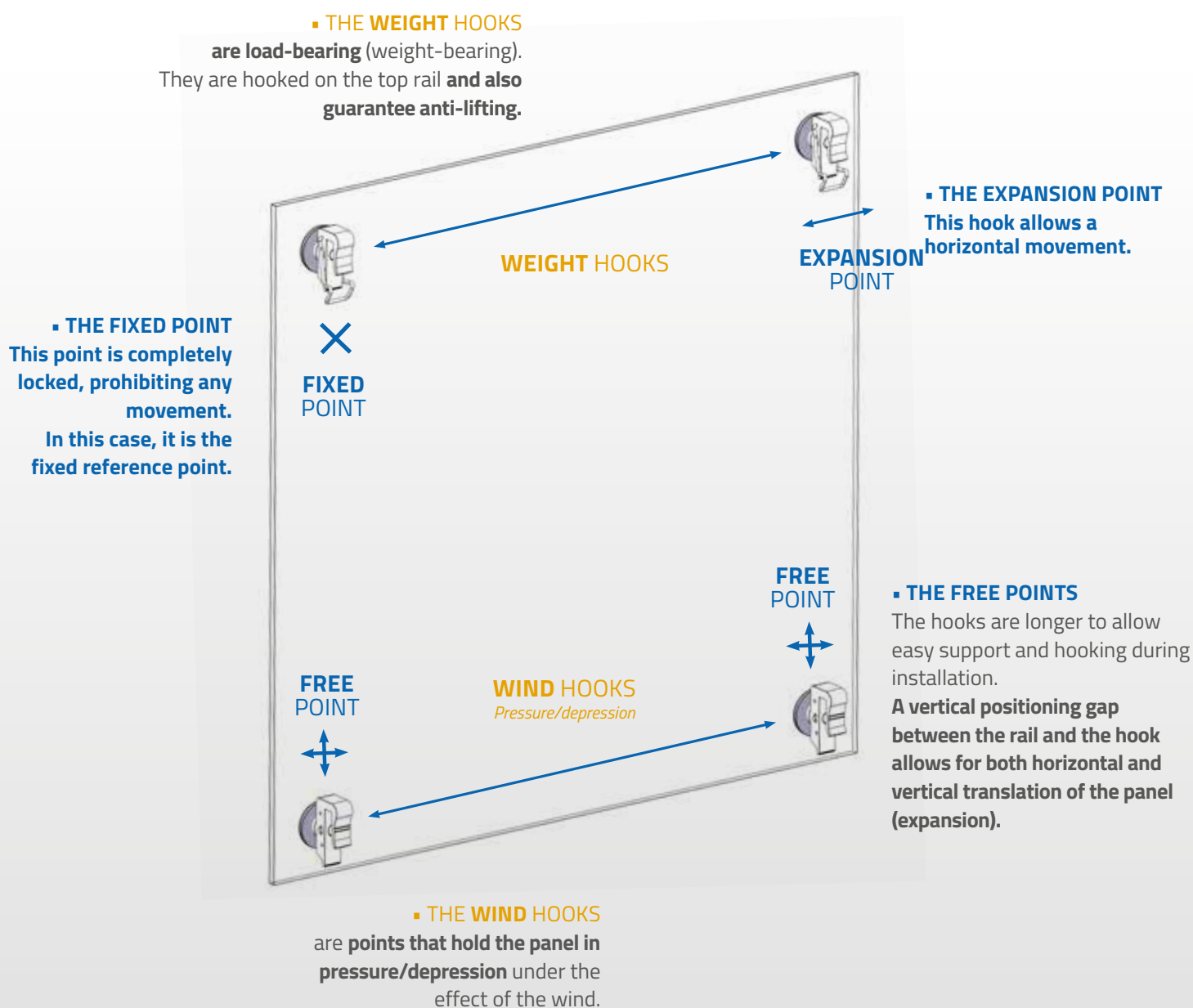




### **SADEV's design office**

accompanies you from the pre-study to the realization for the dimensioning and the layout of your facades.

## A system that avoids any stress in the glass!



# GIVE VOLUME TO THE FACADES

**3D facade possible**  
glass scale

## THE ADVANTAGES OF OUR SYSTEM

This fixing system allows:

- to absorb the movements of the building (including seismic movements);
- a longer life of the facade;
- the expansion joints are minimalist and not visible
- easy maintenance in case of replacement of a cladding.



## COMPATIBLE

Laminated glasses / monolithic glasses



We Build the Invisible

CLASSIC<sup>®</sup>

DECOR<sup>®</sup>

CONSTRUCT<sup>®</sup>

SABCO<sup>®</sup>

SWIMSIDE<sup>®</sup>

Member of  
**SIMONSWERK  
GROUP**

Tel. +33(0) 4 50 08 39 00 | Fax. +33(0) 4 50 08 39 49  
76, chemin des Poses - 74330 Poisy (France)

**sadev.com**  
follow us on

