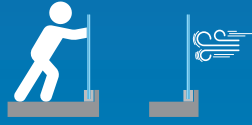


FLOOR MOUNTING



# PROFILE 7017



## TESTED & APPROVED



All the elements compatible with the **7017 PROFILE** can be found in this section

**WEDGES, CLADDINGS & ACCESSORIES > p.96**

THICKNESS OF GLASS  
**12 > 25.52 mm**

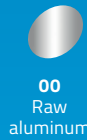


APPLICATION | **RESIDENTIAL** | **PUBLIC** |

COMPATIBILITY OF WEDGES  
**One Side & Double Side**



POSSIBLE FINISHES



ADJUSTMENT OF GLASS  
**+ or - 15 mm**



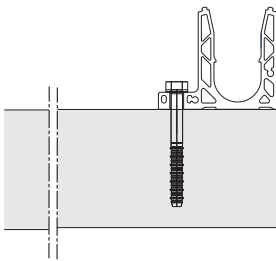
[sadev.com](http://sadev.com)



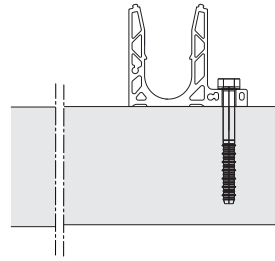
**BIM**  
PRODUCT

► Reference **0070RAIL17**

**TYPE OF USE**

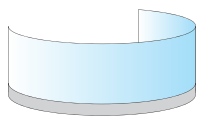


MOUNTING OFFSET FLOOR

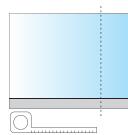


MOUNTING INVERTED OFFSET FLOOR

**DIFFERENT SPECIFICITIES**




CURVED



MADE TO MEASURE

**TECHNICAL SPECIFICATION AND INTERNATIONAL CERTIFICATION**

Solutions tested according to regulations of different countries  can be found in the country performance guide.

# FLOOR MOUNTING PROFILE 7017



THICKNESS OF GLASS  
12 > 25.52 mm

► Reference **0070RAIL17**

**TESTED & APPROVED**

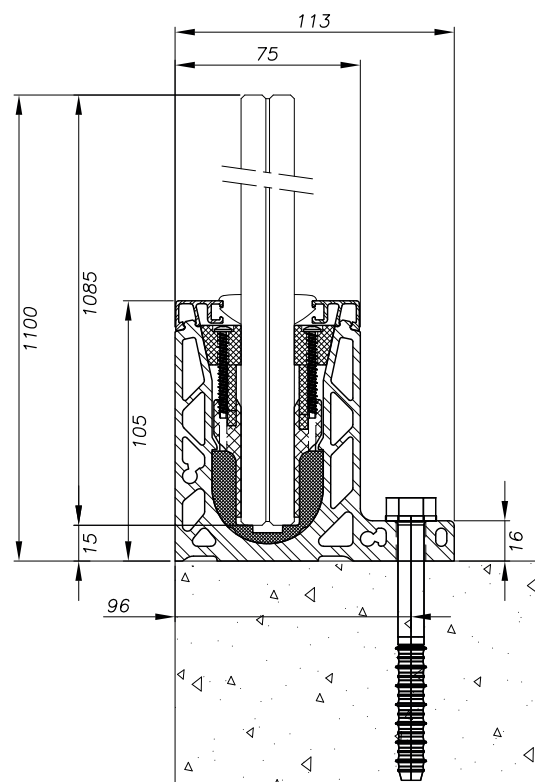


COMPACT  
Special slab edge



## TECHNICAL CHARACTERISTICS

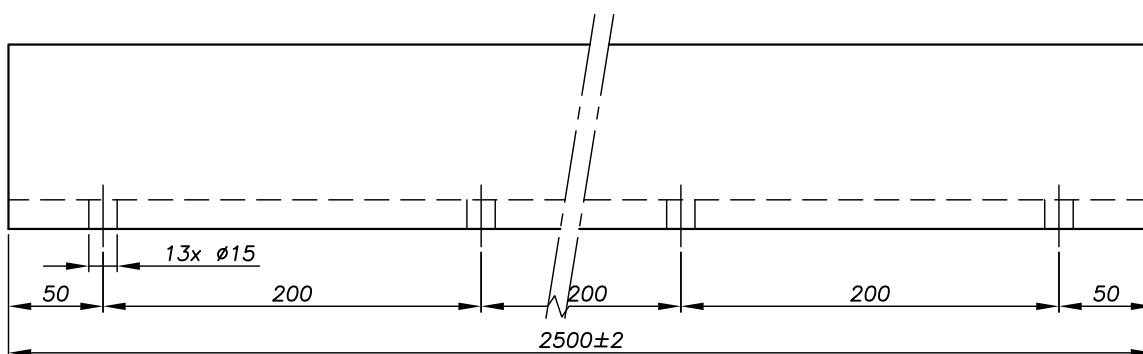
<b>Length</b>	2 500/5 000 mm (on request)
<b>Width</b>	113 mm
<b>Height of profile</b>	98 mm
<b>Material</b>	Aluminum
<b>Type of application</b>	Residential /public
<b>Type of mounting</b>	Offset floor / inverted offset floor
<b>Thickness of glass</b>	12 > 25.52 mm
<b>Height of guardrail</b>	Standard: 1 100 mm <b>Different height on request</b>
<b>Profile finish</b>	Anodized aluminum, raw, RAL
<b>Fixing the profile</b>	Every 400 mm according to the requirements of your project.



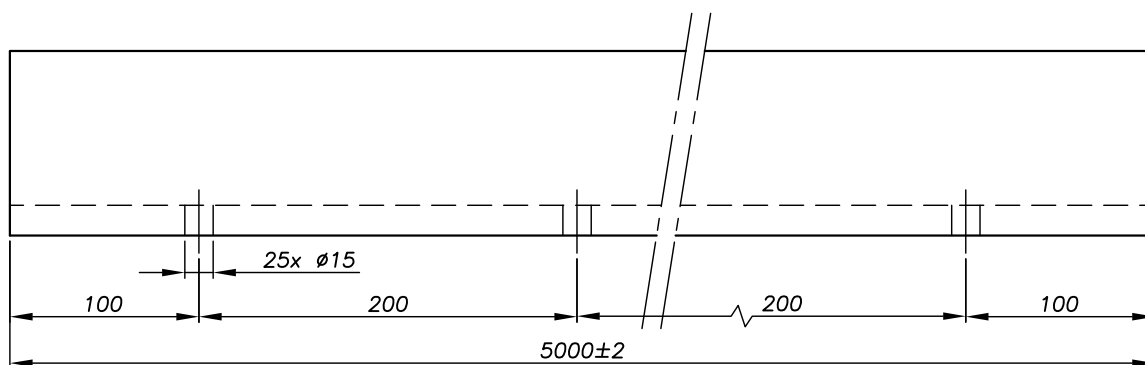
**FOR MORE INFORMATION  
ON ANCHORING THE PROFILE:**  
see our country performance guide  
or the Technical Advice for each profile.

TECHNICAL PLANS

► 2 500 mm - Reference 0070RAIL17



► 5 000 mm - Reference 0070RAIL27 (on request)



DRAINAGE & EXPANSION

For more details, see **page 50**