

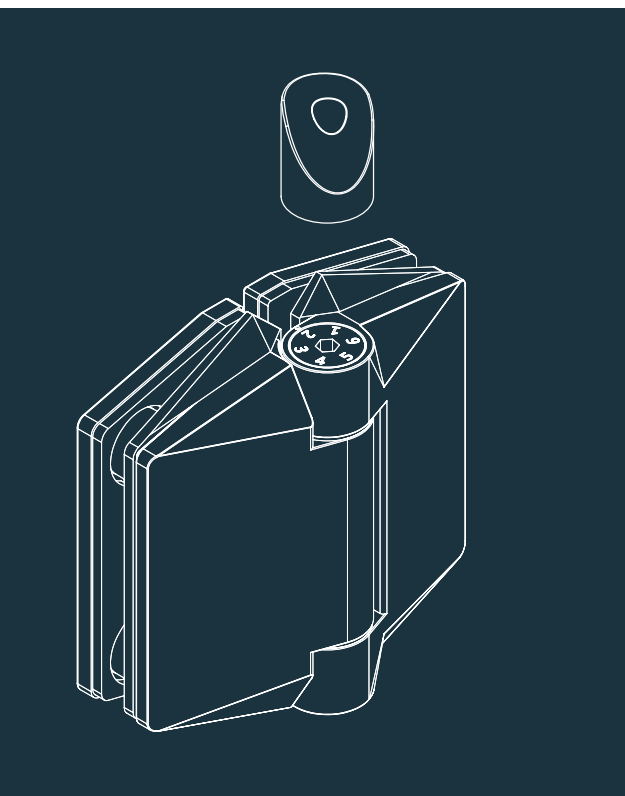


SECURITY DOOR HINGE AUTOMATICALLY
CLOSES FOR SWIMMING POOLS
GLASS TO GLASS
Ref. **120GS**

PACK OF TWO HINGES

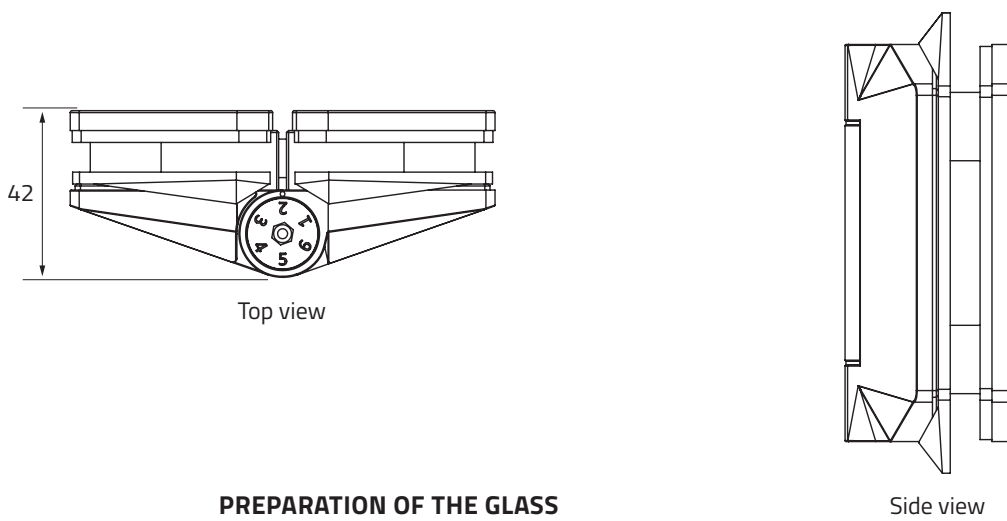
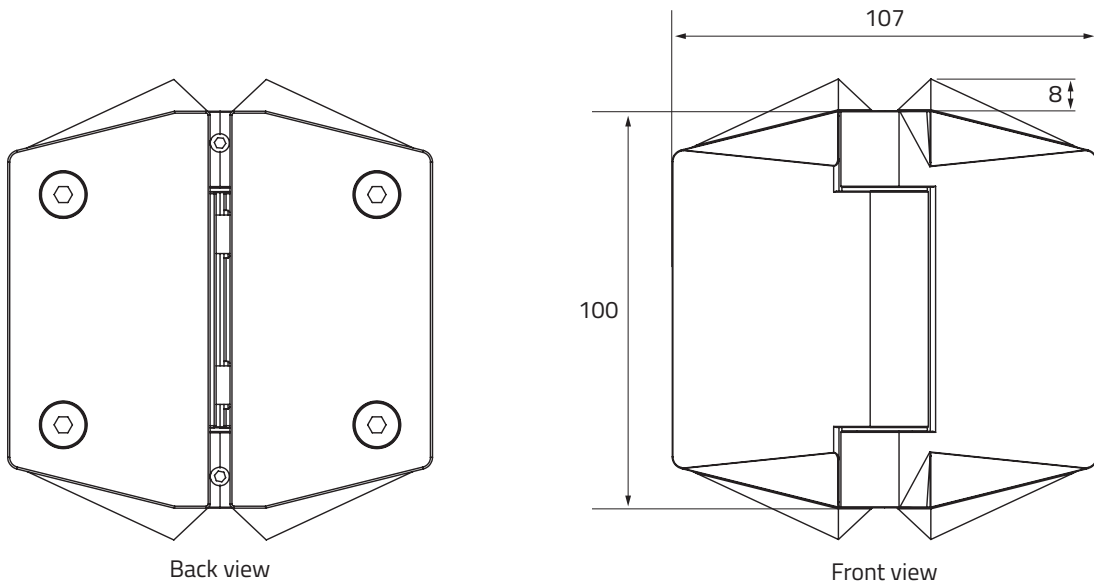
TECHNICAL FEATURES

Width	107 mm
Height	100 mm
Max. opening	90°
Materials	Duplex stainless steel
Application type	Pool protection barrier - private/public
Glass thickness	10 > 10,76 mm [5.5.2 / 10] 12 > 12,76 mm [6.6.2 / 12]
Width of the glass.	900 mm
Height of the glass.	1 500 mm
Max. weight	45 kg
Finishes	Brushed stainless steel

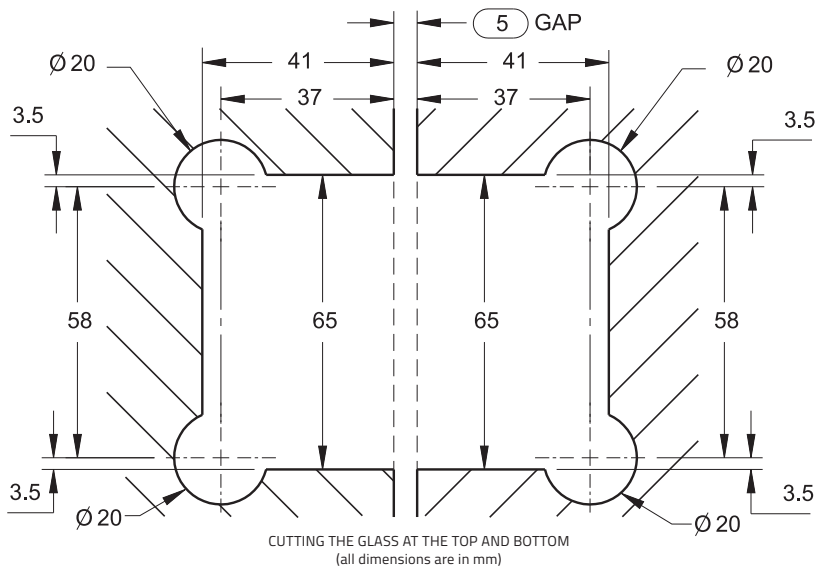


- ▶ To be used with a security latch/catch bolt children proof
- ▶ Opened and closed 10 000 times (Tested 10 000 cycles)
- ▶ Resistant to temperatures from 14°F to 120°F
- ▶ Closing speed control (soft close system)

TECHNICAL DRAWINGS



PREPARATION OF THE GLASS



TECHNICAL DRAWINGS

Example of GC Pool layout

