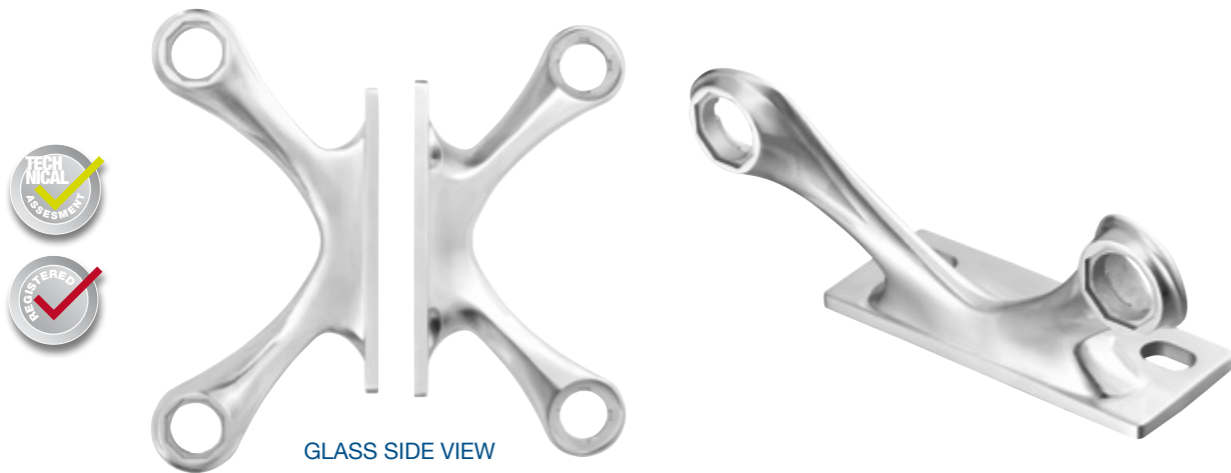


S 3100 / S 3100 DU

Designation : casted stainless steel spider, with plate.

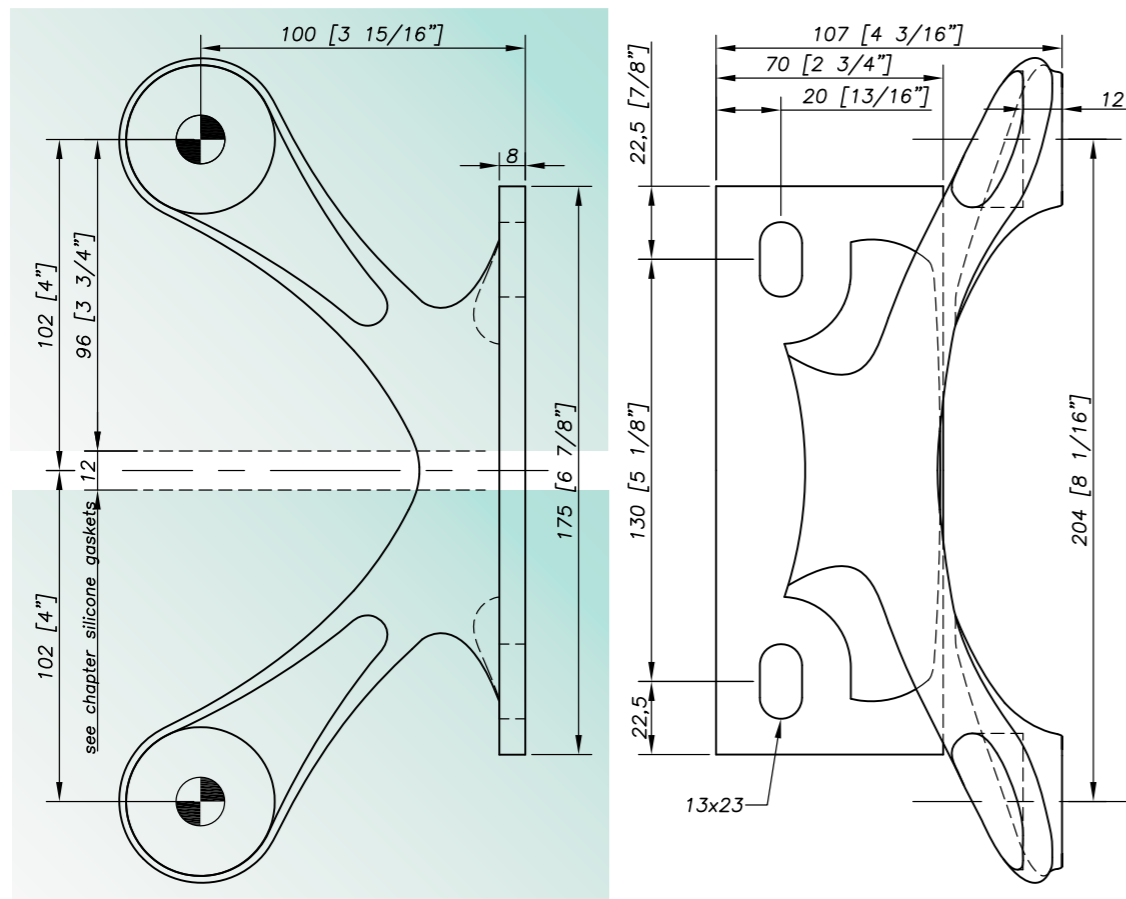


GLASS SIDE VIEW

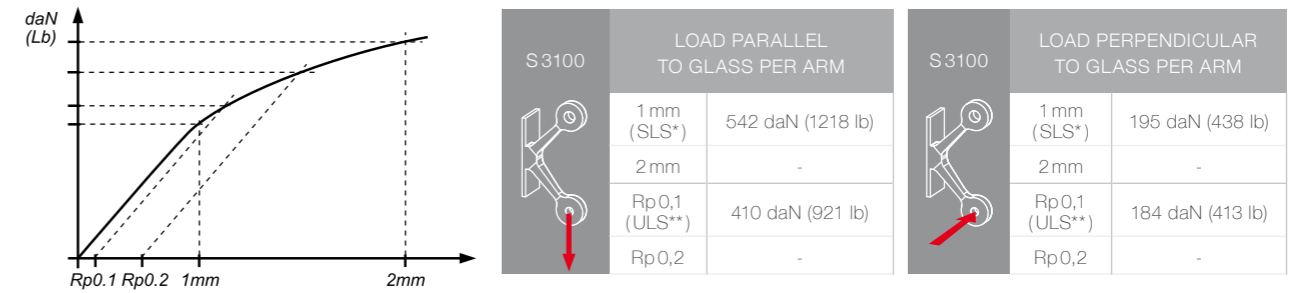
S3100 Monti : AISI 316 - Surface finish : Dull polished GR400
S3100 DU : Stainless steel Duplex Uranus 45N

Dimensions

GLASS SIDE VIEW



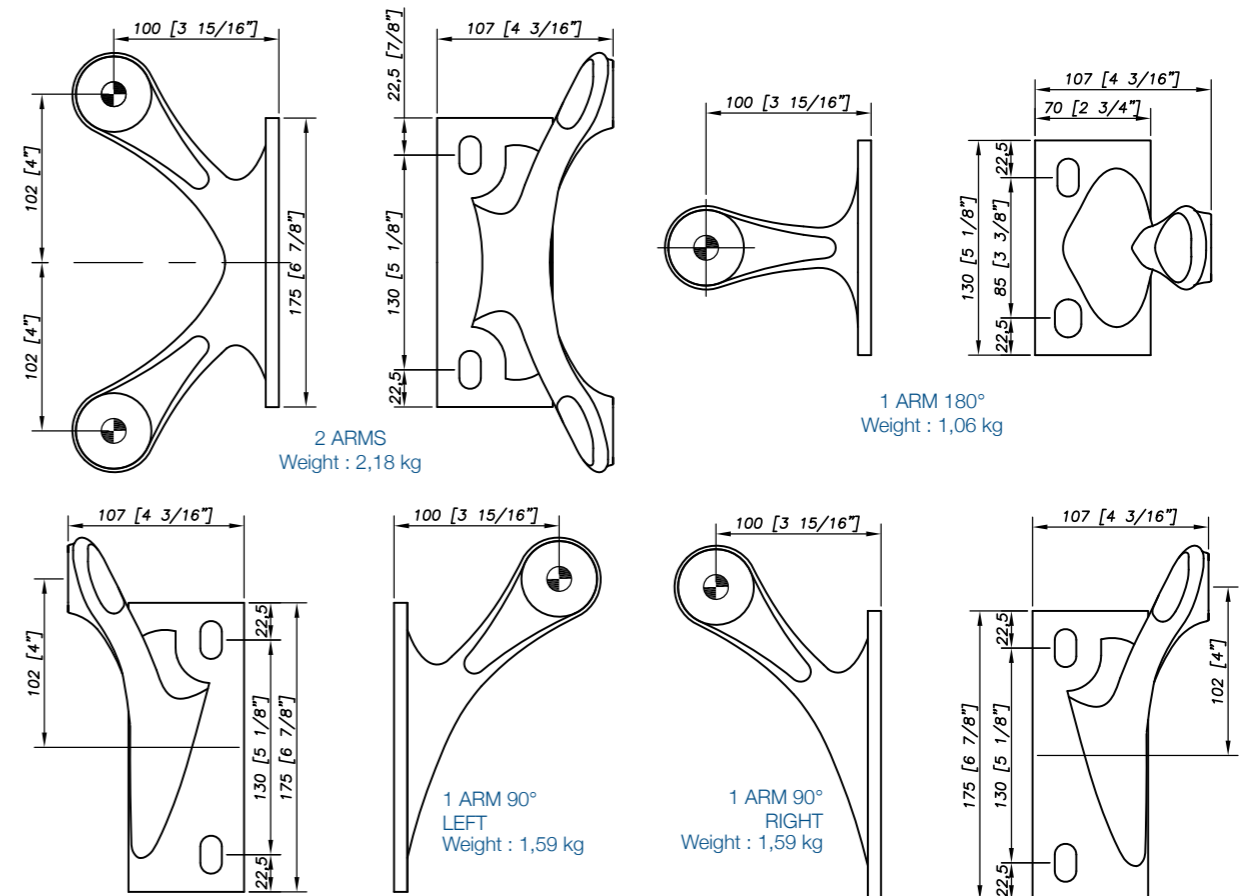
Mechanical performances



*SLS : Serviceability Limit State - load at 1 mm deformation **ULS - Ultimate Limit State : load at the elastic limit (Rp0.1). Values are given without factor of safety - Tests available online : www.sadev.com

Configuration

GLASS SIDE VIEW



Represents a fixed point Ø17 mm, a slotted point Ø17x24 mm, or a free point Ø24mm depending on the position of the spider on the façade (see suggested mounting instructions at the end of the chapter).

Suggested mounting instruction

The fixing of the spider is done with a M16 or a M12 bolt (out of Sadev supply). The slotted holes Ø17 x 24mm and free holes Ø24mm in the spider are not to be used to adjust the spider! They are needed to absorb the manufacturing tolerances and the thermal deformation of the glass and of the structure.

The spiders are standardized for M14 fittings (FXR, FXV). Other diameters are available on request.

SADEV recommends using thread locking compound, except in case of specific mounting constraints.