

S3000 / S3000 DU

Designation : casted stainless steel spider

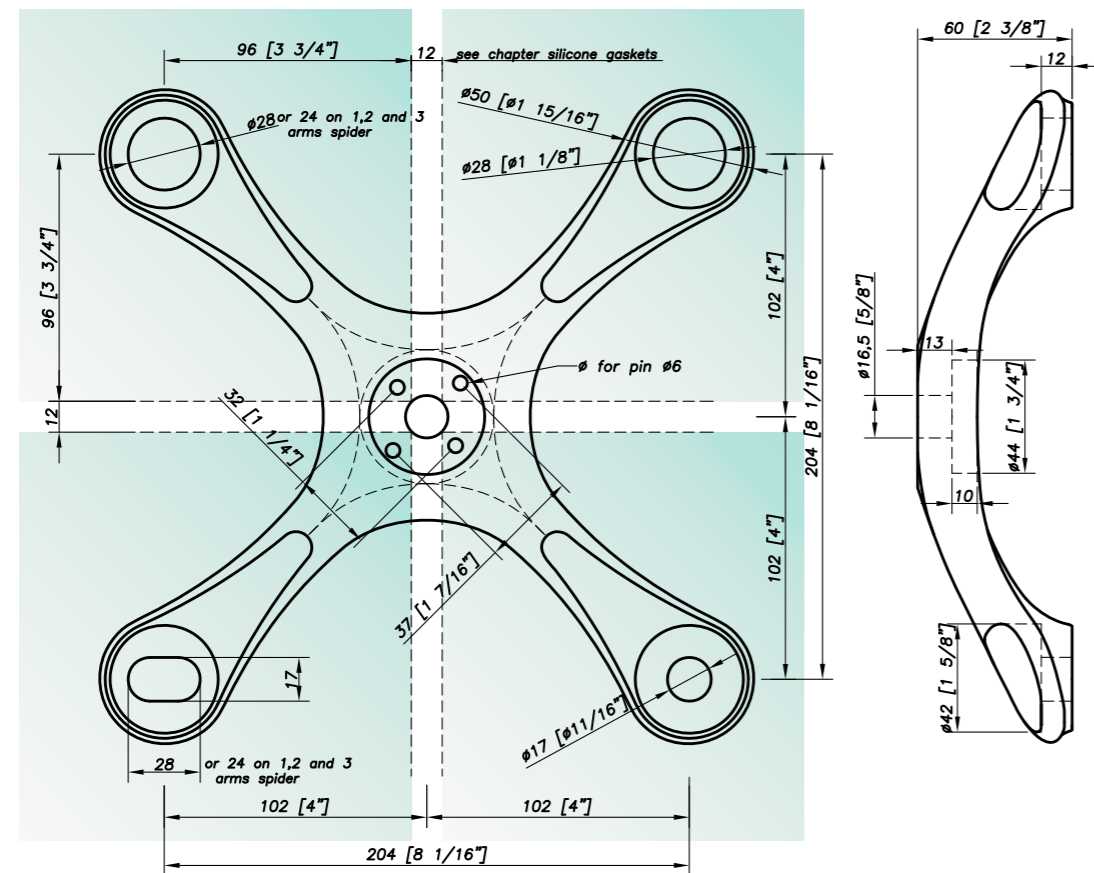


Material : AISI 316
Surface finish : dull polished GR400

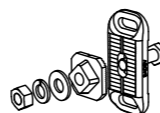
S3000 DU : stainless steel Duplex Uranus 45N

Dimensions

GLASS SIDE VIEW

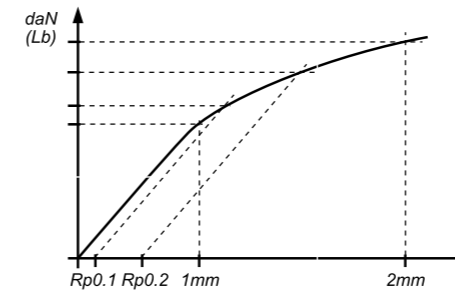


Cone omega available as an optional (see p.8.24)



S3000 / S3000 DU

Mechanical performances

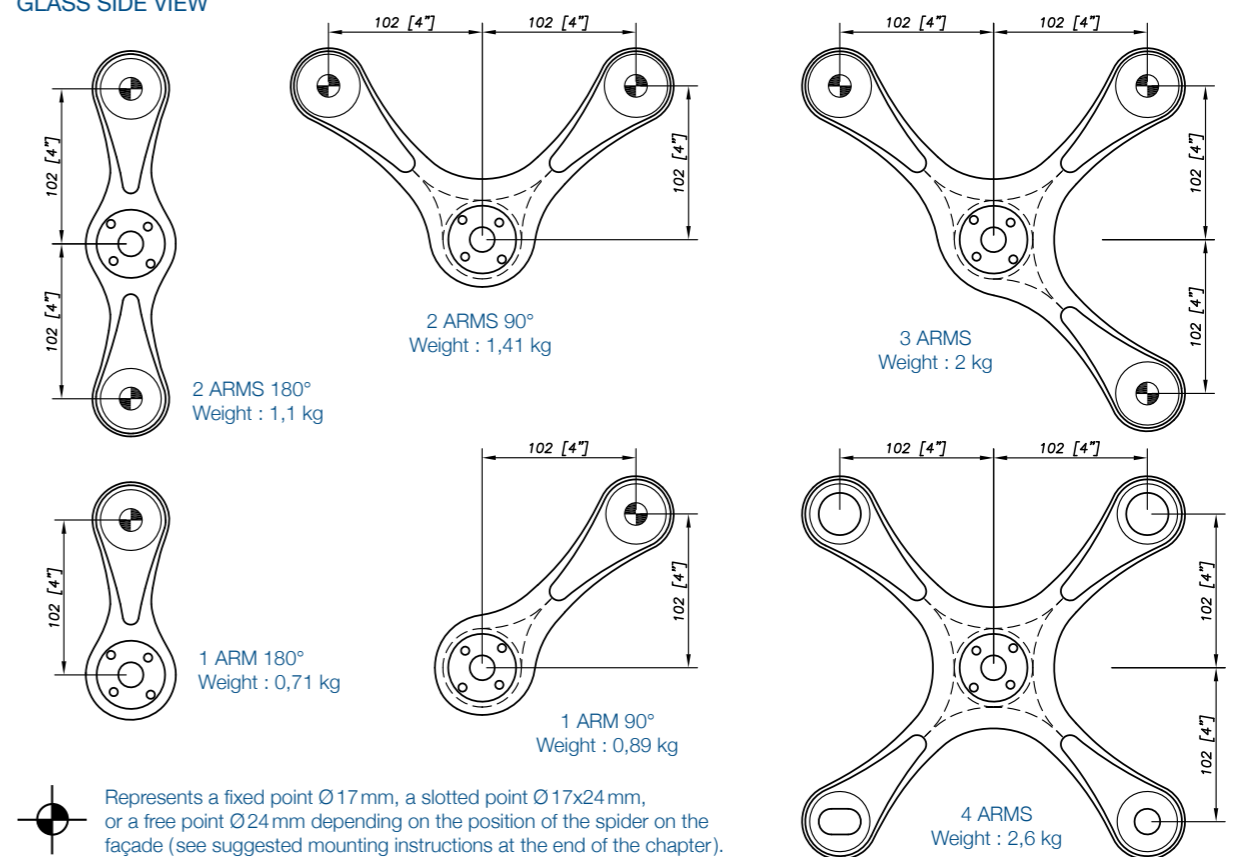


Model	LOAD PARALLEL TO GLASS PER ARM		LOAD PERPENDICULAR TO GLASS PER ARM	
	Deformation	Load (daN)	Deformation	Load (daN)
S3000	1 mm (SLS*)	434 daN (975 lb)	1 mm (SLS*)	238 daN (535 lb)
	2 mm	574 daN (1290 lb)	2 mm	406 daN (912 lb)
	Rp 0,1 (ULS**)	398 daN (894 lb)	Rp 0,1 (ULS**)	300 daN (674 lb)
	Rp 0,2	-	Rp 0,2	367 daN (825 lb)
S3000 DU	1 mm (SLS*)	402 daN (903 lb)	1 mm (SLS*)	296 daN (665 lb)
	2 mm	773 daN (1737 lb)	2 mm	565 daN (1270 lb)
	Rp 0,1 (ULS**)	693 daN (1557 lb)	Rp 0,1 (ULS**)	547 daN (1229 lb)
	Rp 0,2	847 daN (1904 lb)	Rp 0,2	647 daN (1454 lb)

*SLS : Serviceability Limit State - load at 1 mm deformation **ULS – Ultimate Limit State : load at the elastic limit (Rp0.1)
Values are given without factor of safety - Tests available online : www.sadev.com

Configuration

GLASS SIDE VIEW



Represents a fixed point Ø17 mm, a slotted point Ø17x24 mm, or a free point Ø24 mm depending on the position of the spider on the façade (see suggested mounting instructions at the end of the chapter).

Suggested mounting instruction

The drilling diameter for the pins is 6mm. Do not drill the holes for the pins in your structure before mounting the spiders. To fix the spider on your structure the "Omega" (see accessories) is highly recommended to adjust the spider's position. The fixing of the spider is done with a M16 or a M12 bolt (out of Sadev supply).

This bolt shall not be fitted into a vertical slotted holes due to the risk of slipping (under the weight), the pins are not designed to hold any permanent loads (cf. specification sheet). The spider has to be positioned on a flat support. The slotted holes Ø17x24mm and free holes Ø24mm in the spider are not to be used to adjust the spider! They are needed to absorb the manufacturing tolerances and the thermal deformation of the glass and of the structure. The spiders are standardized for M14 fittings (FXR, FXV) ; other diameters are available on request.

SADEV recommends using thread locking compound, except in case of specific mounting constraints.