

V 2004

Designation : fixed bolt, cylindrical head, for installation from the outside

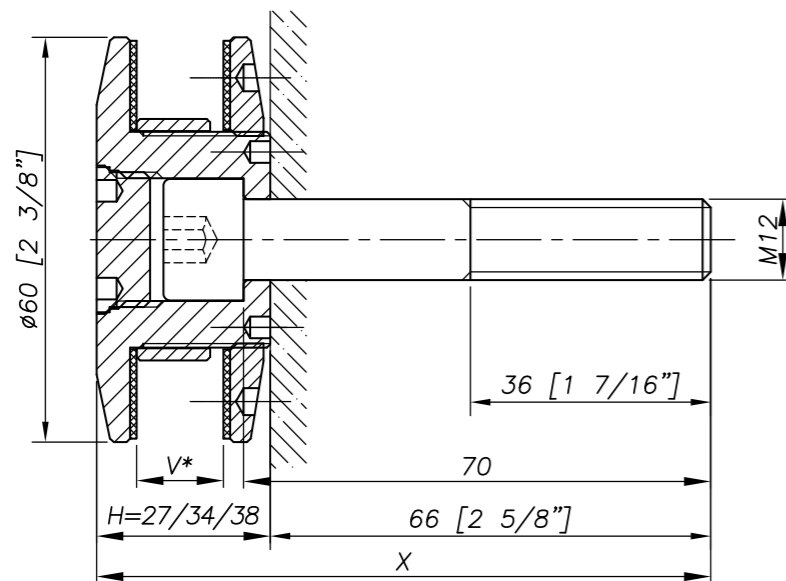


REFERENCE TO ORDER			
GLASS THICKNESS	Ø AXIS	LENGTH AXIS (MM)	ARTICLE CODE
8 ≤ V ≤ 15	M12	66	V2004-0815
15 < V ≤ 22	M12	66	V2004-1522
22 < V ≤ 26	M12	66	V2004-2226
Special	Special	Special	V2004-V-SP

Sealing strip between glazing available p.8.26

* V2004-0815 : Model - Glass Thickness

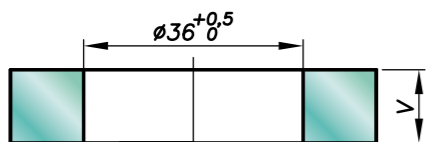
Dimensions



H= Swivel body corresponding to the thickness of the glass.
V* = glass thickness.

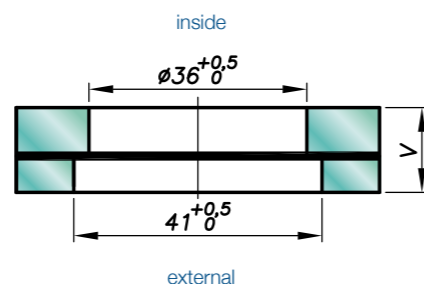
Glass drilling

MONOLITHIC GLASS



LAMINATED GLASS

V = 1st glass + intercalated films + 2nd glass

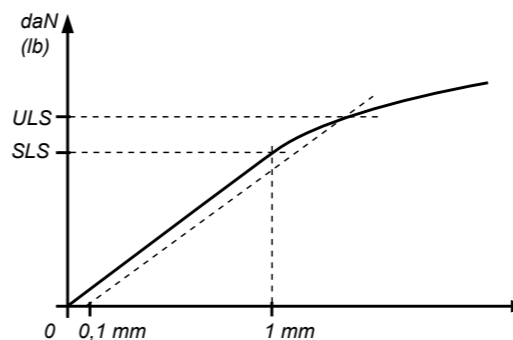


Available for glass thicknesses from 8 to 31.52 mm, for other thicknesses please consult us.

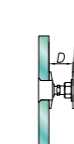
It is important to provide the following information with each request: the glass composition (ex.: 10mm monolithic, 8.8.4 laminated, 8.8.2-12-10 insulating) / the length and diameter of the threaded axle if not standard dimensions (M14, 65mm) / the reference of the spider to be used as support, or the thickness of an existing support for the delivery of the spacer.

V 2004

Mechanical performances



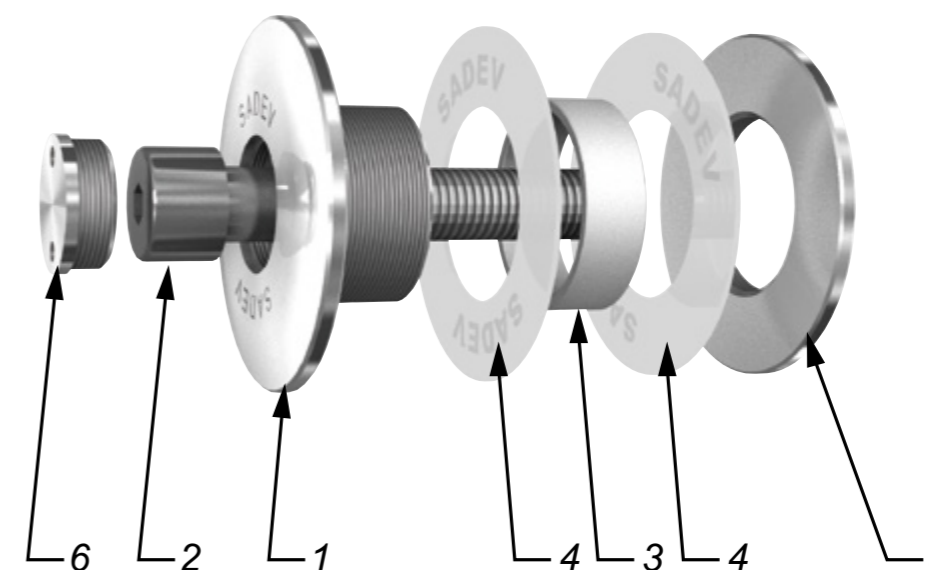
	SHEAR STRENGTH	PULL OUT CAPACITY
	ULS*	ULS*
M12	4342 daN* (9761 lb)	3709 daN (8338 lb)



*ULS – Ultimate Limit State : load at the elastic limit (Rp0.1)
Values are given without factor of safety
Tests available online: www.sadev.com

*daN: Tensile strength calculation according to EN 1993-1-8 and shear strength calculation according to EN 1993-1-4

Components



MARK	QUANTITY	DESIGNATION	MATERIAL
1	1	Body	X2 Cr Ni Mo 17.12.2 as per EN 10088-3
2	1	Bolt DIN912 M12-70	A4
3	1	Glass hole grommet	AW-1050A as per EN 573-3 / Al 99.5%
4	2	Contact washer	White polyacetyl / white polyethylene
5	1	Glass nut Ø 60	X2 Cr Ni Mo 17.12.2 as per EN 10088-3
6	1	Cover cap	X2 Cr Ni Mo 17.12.2 as per EN 10088-3

Suggested mounting instruction

Insert parts No.1, 4, and 3 into the glass hole.

Mount the second contact washer No.4 and glass nut No.5 and tighten to 20Nm (15 ft-lb) for monolithic glass and 10Nm (7.5 ft-lb) for laminated glass using SADEV tools ref. 097581160 and ref. CLE-DYN-072031.

Mount into the support with bolt No.2, tighten in function of the support with a 10mm hex key.

Mount cover cap No.6 using SADEV tool ref. 097581160.

SADEV recommends using thread locking compound whenever possible.