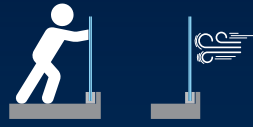


LATERAL MOUNTING

# PROFILE 7031R



THICKNESS OF GLASS  
12 > 25.52 mm



APPLICATION | RESIDENTIAL | PUBLIC |

COMPATIBILITY OF WEDGES  
One Side & Double Side



POSSIBLE FINISHES



01  
Anodized  
aluminum



02  
Brushed  
stainless  
steel effect



03  
RAL

ADJUSTMENT OF GLASS  
+ or - 15 mm

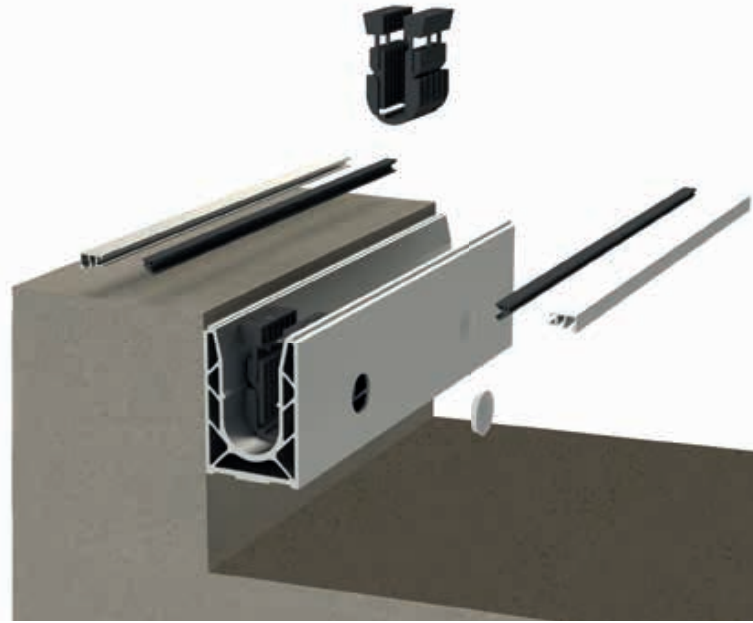


## TESTED & APPROVED



You will find all the elements compatible with the **7031R PROFILE** in this section

**WEDGES, CLADDINGS & ACCESSORIES > p.96**



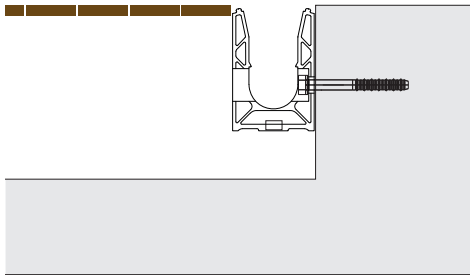
sadev.com



BIM  
PRODUCT

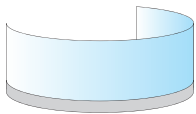
► Reference **0070RAIL31R**

## TYPE OF USE

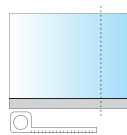


LATERAL MOUNTING

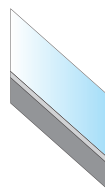
## DIFFERENT SPECIFICITIES



CURVED




MADE TO MEASURE



RAMPED

## TECHNICAL SPECIFICATION AND INTERNATIONAL CERTIFICATION

Solutions tested according to regulations of different countries  can be found in the country performance guide.

# LATERAL MOUNTING PROFILE 7031R



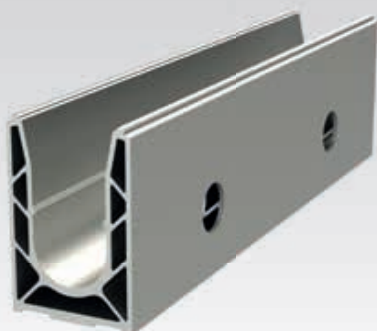
THICKNESS OF GLASS  
12 > 25.52 mm

► Reference **0070RAIL31R**

**TESTED & APPROVED**

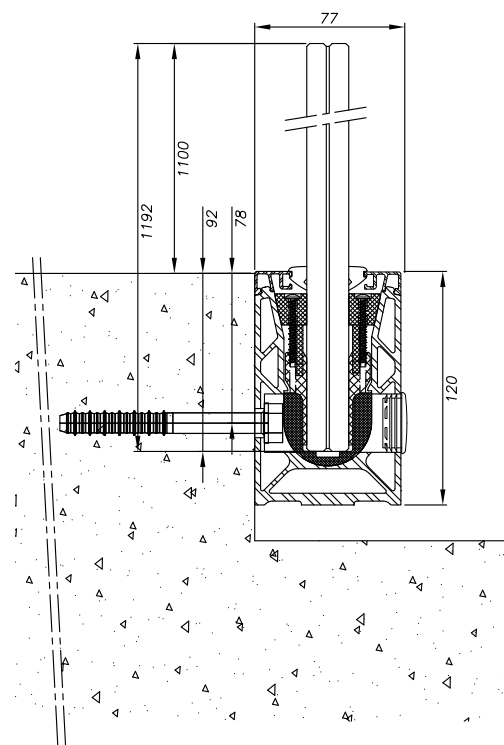


DEDICATED PROFILE  
Interior of acroter



## TECHNICAL CHARACTERISTICS

<b>Length</b>	2 500 mm / 5 000 mm
<b>Width</b>	75 mm
<b>Height of profile</b>	112 mm
<b>Material</b>	Aluminum
<b>Type of application</b>	Private/public
<b>Type of mounting</b>	Lateral reversed
<b>Thickness of glass</b>	12 > 25.52 mm
<b>Height of railing</b>	1 100 mm
<b>Profile finish</b>	Anodized aluminum, brushed stainless steel effect, RAL
<b>Fixing of profile</b>	Every 200 mm according to the characteristics of your project.

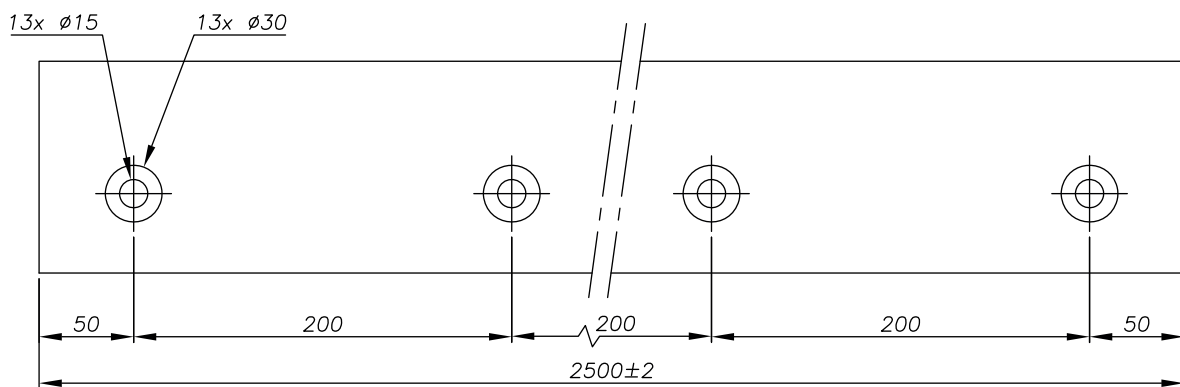


**FOR MORE INFORMATION  
ON ANCHORING THE PROFILE:**  
see our country performance guide  
or the Technical Advice for each profile.

## TECHNICAL PLANS

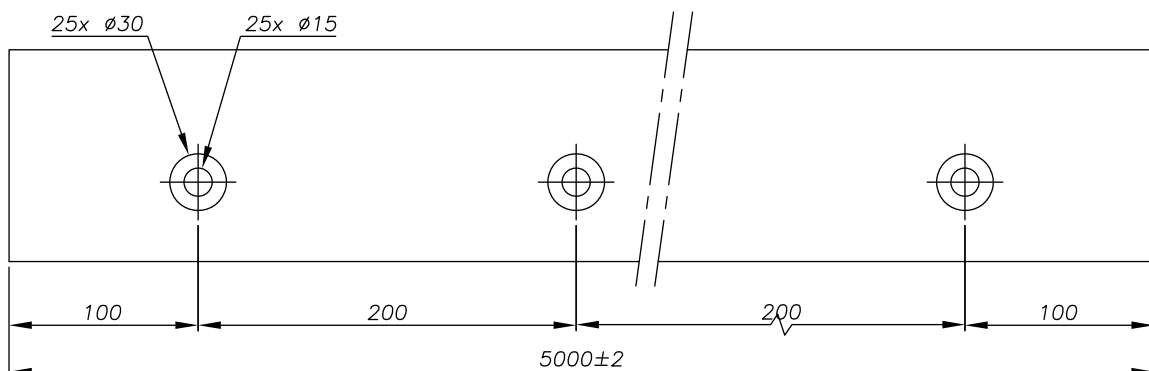
### ► 2 500 mm - Reference 0070RAIL31R

### ► 2 500 mm - Undrilled profile - Reference 0070RAIL204



### ► 5 000 mm - Reference 0070RAIL41R

### ► 5 000 mm - Undrilled profile - Reference 0070RAIL504



## DRAINAGE & EXPANSION

For more details, see **page 80**.