



We Build the Invisible

SLAB NOSE RAILING



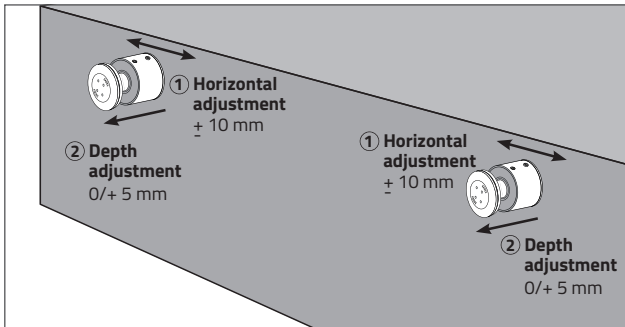


SLAB NOSE RAILING

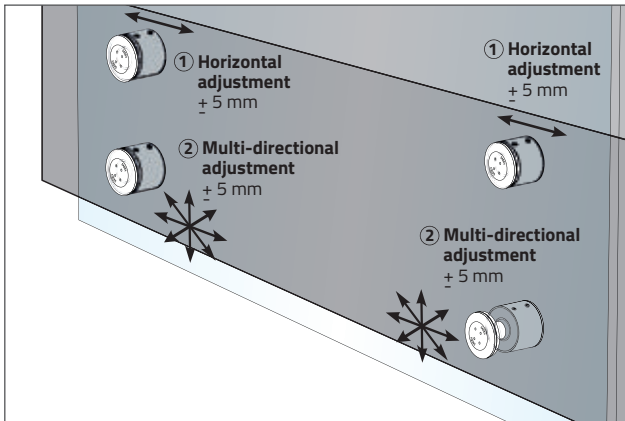
Ref. **000110**

KG
250

BEFORE LAYING THE GLASS



AFTER LAYING THE GLASS



TECHNICAL DATA

SPECIFICITY	Dual glass adjustment system
Diameter	50 mm
Heigh	40 mm
Weight	465 gr
Subject	Inox 304 & 316
Tightening the glass screw	Hardened monolithic = Mini 15 N.m Hardened laminated = 10 N.m
Type of glass	Laminated glass - tempered type 8/8, 10/10, 12/12 or 15/15 according to configuration
Screws	Socket head screw $\varnothing 12$. Dowel to be defined according to nature of the slab or support. Excluding SADEV supply.
Screws for glass	Cylindrical $\varnothing 50$
Glass dimension approved	Height 1 260 mm Lenght 1 000 to 1 400 mm
Glass thickness	17,52 21,52 25,52 31,52

CERTIFICATIONS

Technical Advice with AGC n° 2/15-1670

Test report N° BEB1.9.4027-9

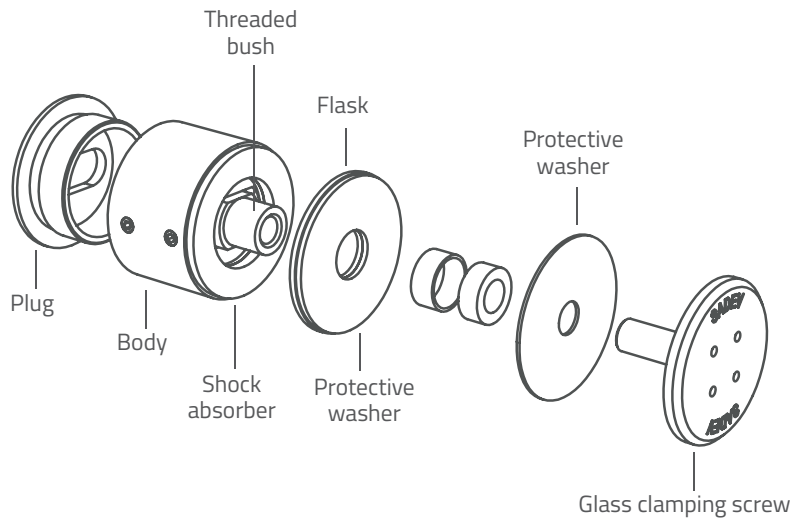
Test report N° BEB1.9.4027-15

Test report N° BEB1.9.4027-16

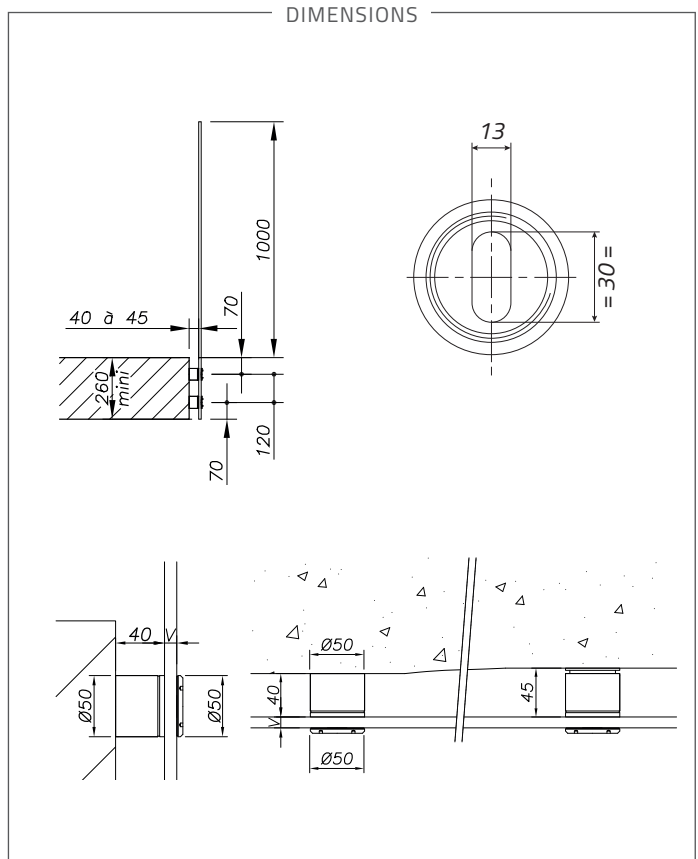
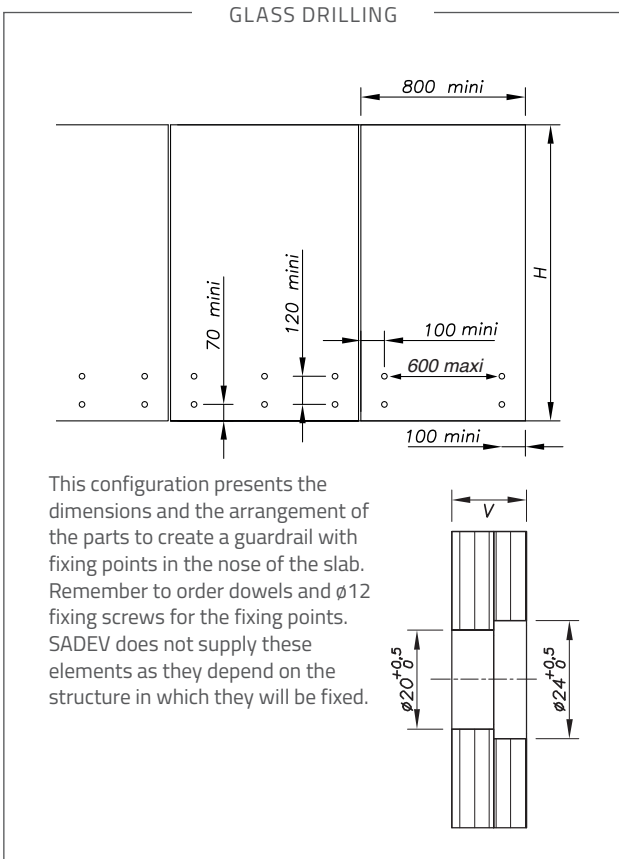


We Build the Invisible

Tel. +33(0) 4 50 08 39 00 | Fax. +33(0) 4 50 08 39 49
76, chemin des poses - 74330 Poisy (France)



TECHNICAL DRAWINGS



FINISHES

Sst brushed
Ref. 000110



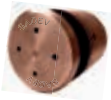
Black
Ref. 000110N



Copper
Ref. 000110CU



Copper brushed
Ref. 000110CU-B



Champagne
Ref. 000110CH



Champagne brushed
Ref. 000110CH-B



Gold
Ref. 000110OR



Gold brushed
Ref. 000110OR-B

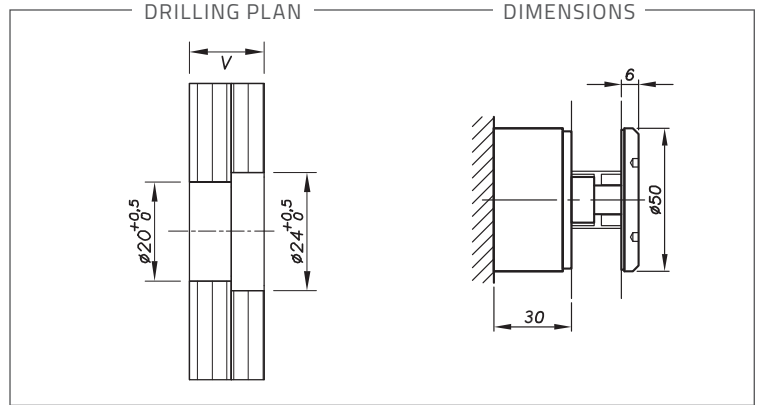




SLAB NOSE RAILING- Height 30 mm Ref. 000130

TECHNICAL DATA

SPECIFICITY		Without adjustment	
Diameter	50mm		
Height	30mm		
Reference	Material	Glass thickness	
000130	Stainless steel 304	17.52 > 21.52 mm	
000130A4	Stainless steel 316	22 > 25.52 mm	



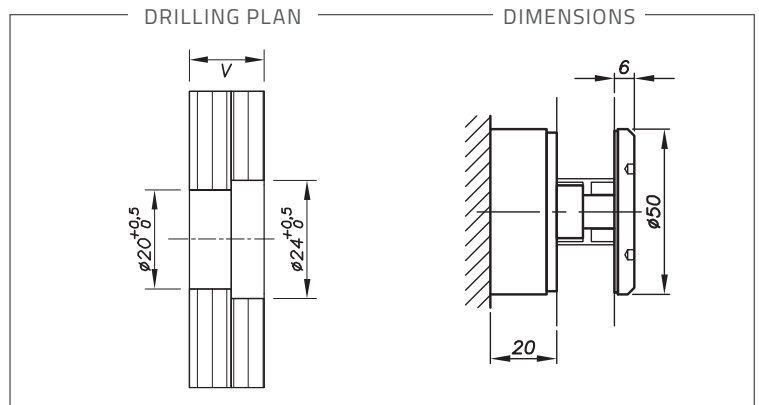
SLAB NOSE RAILING - Height 20 mm Ref. 000120



Black finish

TECHNICAL DATA

SPECIFICITY		Without adjustment	
Diameter	50mm		
Height	20mm		
Reference	Material	Glass thickness	
000120	Stainless steel 304	17.52 > 21.52mm	
000120-25	Stainless steel 304	22 > 25.52mm	
000120N	Stainless steel 304 Black finish	17.52 > 21.52mm	
000120A4	Stainless steel 316	17.52 > 21.52mm	



Member of
**SIMONSWERK
GROUP**