

POST WITH FLAT GLASS CONNECTORS



APPROVED PERFORMANCE

CERTIFICATIONS



FRENCH TEST REPORTS (CEBTP)
AVAILABLE

PRICE/PERFORMANCE RATIO

Economical System with the Ability to Adjust the Glass.



PART 1

AJUSTEMENTS POSSIBLES

Horizontal adjustment.



PART 2



QUICK INSTALLATION

Reduction of assembly operations
Easy to install



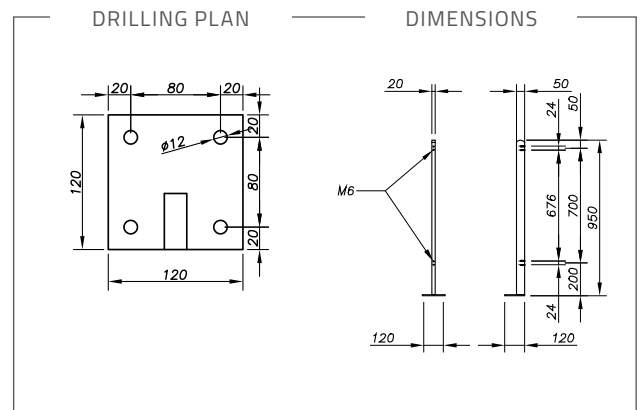
PART 1

FLAT POST Ref. **006020P1AC**

TECHNICAL DATA

Height	50mm
Width	20mm
Glass dimension approved	1 000 & 1 500mm : thickness 8.8
	006020P1AC - Steel ready to paint
Reference	006020P1A2 - Stainless steel 304
	006020P1A4 - Stainless steel 316

Other glass thickness upon request.



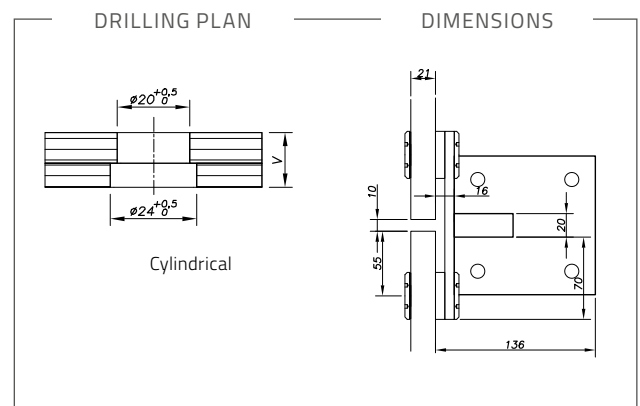
PART 2

POST DOUBLE FLAT CONNECTOR Ref. **022820GDC2062430**

TECHNICAL DATA

Reference	Material	Glass thickness
022820GDC2062430	Stainless steel 304	13.52 > 17.52mm
022820GDC2062434	Stainless steel 304	19 > 21.52mm
022820GDC2062438	Stainless steel 304	21.52 > 25.52mm
022820GDC2062430A4	Stainless steel 316	13.52 > 17.52mm
022820GDC2062430A4	Stainless steel 316	19 > 21.52mm
022820GDC2062430A4	Stainless steel 316	21.52 > 25.52mm

Other glass thickness upon request.



POST WITH FLAT GLASS CONNECTORS

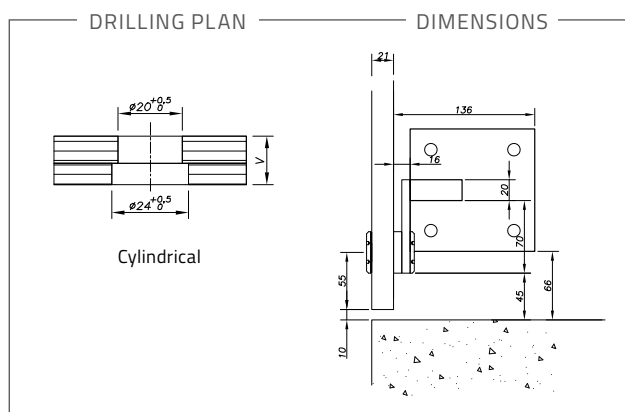


GLASS POST SIMPLE FLAT CONNECTOR Ref. **022820GDC1062430**

TECHNICAL DATA

Reference	Material	Glass thickness
022820GDC1062430	Stainless steel 304	13.52 > 17.52mm
022820GDC1062434	Stainless steel 304	19 > 21.52mm
022820GDC1062438	Stainless steel 304	21.52 > 25.52mm
022820GDC1062430A4	Stainless steel 316	13.52 > 17.52mm
022820GDC1062434A4	Stainless steel 316	19 > 21.52mm
022820GDC1062438A4	Stainless steel 316	21.52 > 25.52mm

Other glass thickness upon request.



WALL SIMPLE FLAT CONNECTOR Ref. **022821062430**

TECHNICAL DATA

Reference	Material	Glass thickness
022821062430	Stainless steel 304	13.52 > 17.52mm
022821062434	Stainless steel 304	19 > 21.52mm
022821062438	Stainless steel 304	21.52 > 25.52mm
022821062430A4	Stainless steel 316	13.52 > 17.52mm
022821062434A4	Stainless steel 316	19 > 21.52mm
022821062438A4	Stainless steel 316	21.52 > 25.52mm

Other glass thickness upon request.

