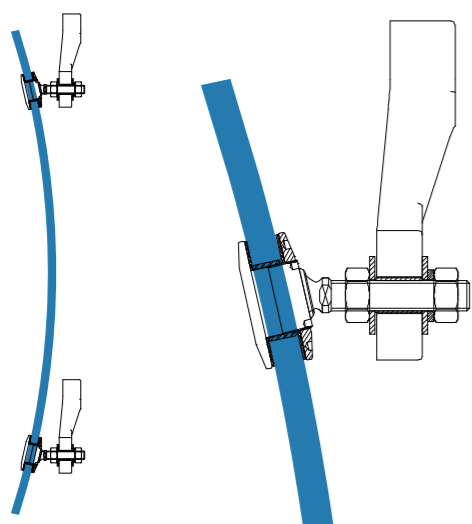


Technical page for swivel fittings

Fixing of the glasses

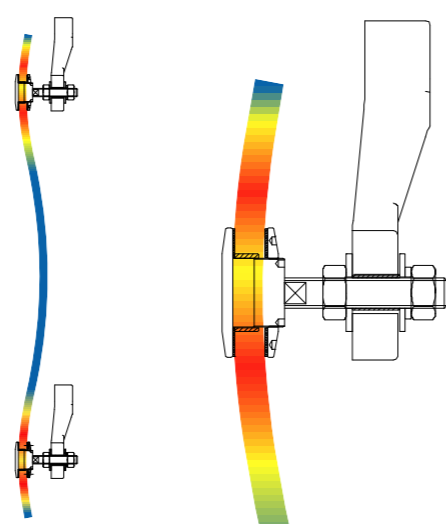
The fixing piece plays a major role in the maintenance of the glasses. SADEV suggests two solutions to find the most adapted piece for your project.

SWIVEL FITTING (FXR)



- Advantages :**
- Recovers the loads and the deformations of the glass, the Markore no stress in the glass.
 - As the glass is not subjected to any stress, the glass thickness can be reduced.

FIXED BOLT (FXV)



- Advantages :**
- Product suitable for interior use.
- Disadvantages :**
- Recovers the loads but not the deformations of the glass, the Markore the stress in the glass increases with the applied loads.
 - As the glass is under stress, the glass thickness has to be increased.

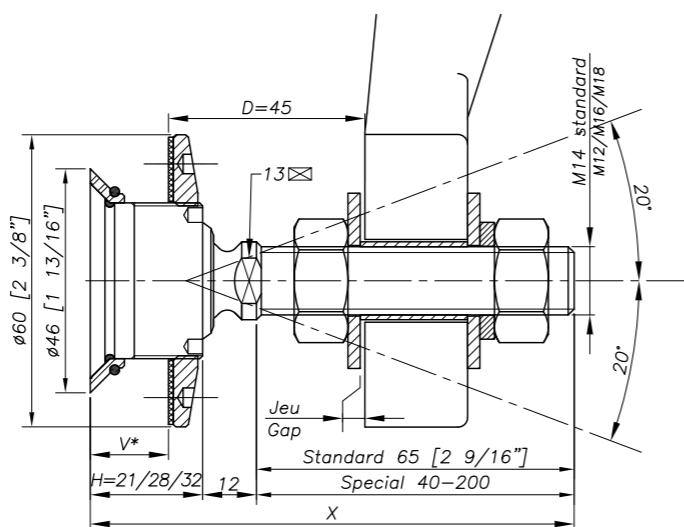
Standard dimensions

To be able to answer quickly and at the best cost according to your demand, SADEV proposes fittings with standard dimensions available in stock.

The standard dimensions are M14, length 65 mm, diameter 60 mm. Other dimensions are possible by customized fabrication. Mainly made out of stainless steel, the fittings are particularly resistant to corrosion and mechanical stress.

Because the security is a major part for this type of product, the most common fittings are subjected to a technical assessment delivered by the CSTB (French Research Institute for buildings). To ensure maximum reliability for these products, several different tests have been executed: pull out, bending of the threaded axle, water sealing and testing under seismic conditions.

Sadev products need a followed up and regular maintenance device (cleaning once a year). At this occasion, a point shall be made on the aging of the products and all suspicious signs shall be Markorted to SADEV (abnormal oxidation, defective montage etc.).

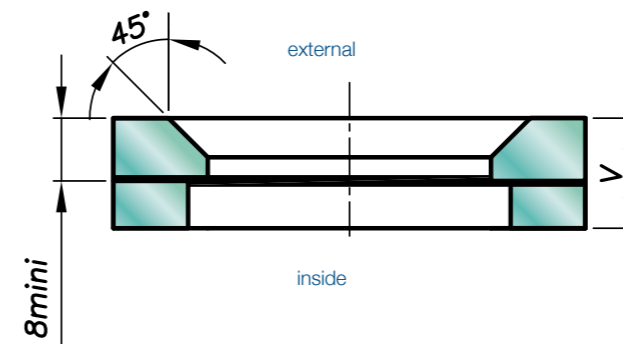


Note : the height H and the length X are validated by SADEV at the order confirmation.

Glass drilling

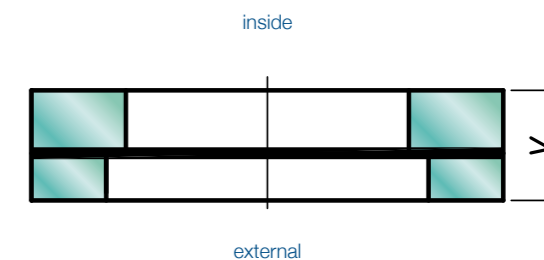
There are two main types of drillings: countersunk and cylindrical. The drilling drawings are included on all technical pages.

COUNTERSUNK DRILLING



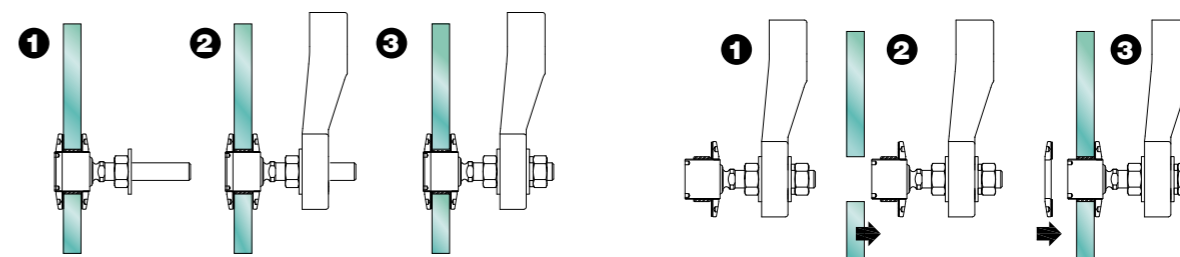
- Advantages :**
- Very esthetical as the head of the countersunk fitting is in the plane of the glass.
 - Simplifies the cleaning of the glass.
- Disadvantages :**
- Highly unrecommended for glass roofs – verify the local regulatory.
 - Make sure that your glass supplier is equipped for making countersunk holes in the glass.

CYLINDRICAL DRILLING



- Advantages :**
- No danger of mistaking the sense of the drilling.
- Disadvantages :**
- The head of the fitting is not in the plane of the glass, resulting in a less harmonious render.

Mounting type « blind access »



Classical mounting

In this case, the point fitting is inserted into the glass. The glass assembly is then mounted onto the spiders.

«Blind access» mounting

This solution is used when it is impossible to access one side of the glass. TheMarkore, the fitting is mounted directly on the spider and the glass is installed afterwards.